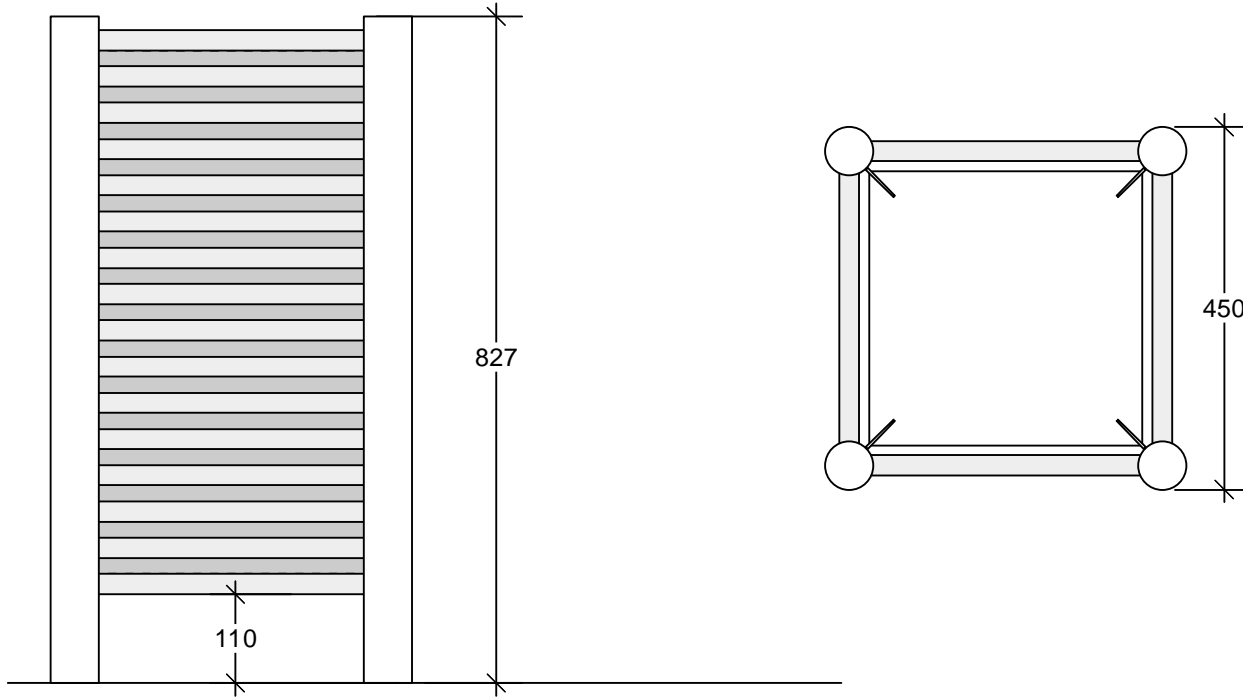
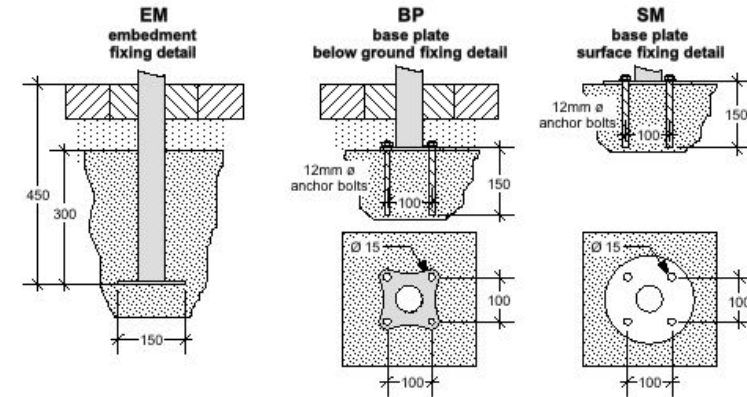


Baseline

BL048 litterbin



INSTALLATION METHODS



DIMENSIONS

LWH	Width 450mm Height 827mm Capacity 80L
-----	---------------------------------------

EXTRAS

AR	Plaque
----	--------

FINISH CODES

PC	Powder coating on galvanised steel
SS	316 stainless steel 320 grit
BD	Bespoke dimensions available

INSTALLATION CODES

EM	Embedment fixing
BP	Base plate below ground fixing
SM	Base plate surface fixing