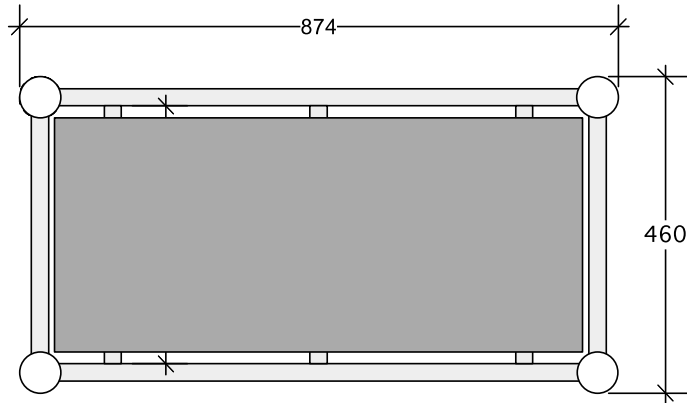
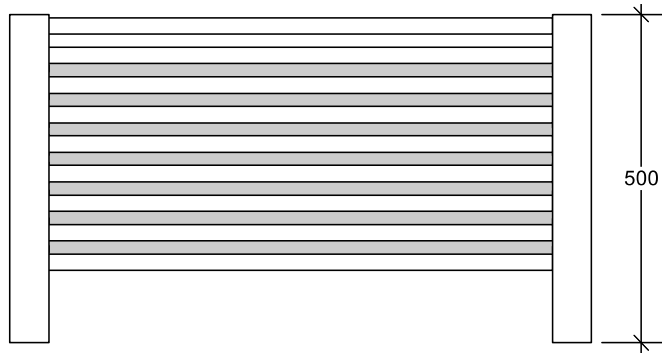
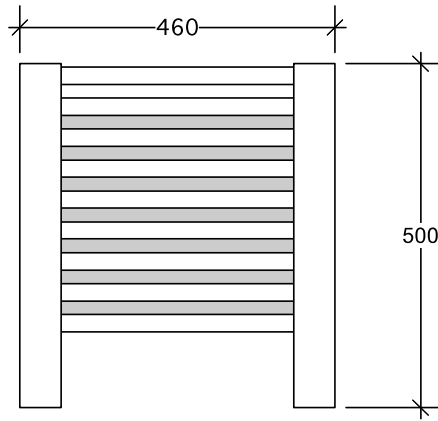


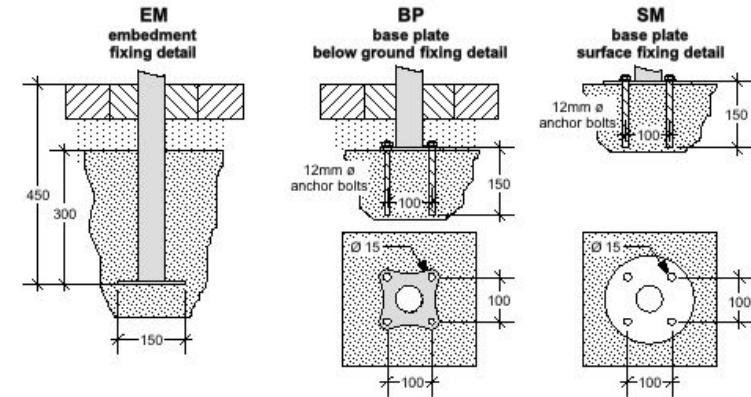
Baseline



BLPL planter



INSTALLATION METHODS



DIMENSIONS

LWH Length 874mm Width 460mm Height 500mm

EXTRAS

AR Galvanised liner, custom capacity, Plaque

FINISH CODES

PC Powder coating on galvanised steel

SS 316 stainless steel 320 grit

BD Bespoke dimensions available

INSTALLATION CODES

EM Embedment fixing

BP Base plate below ground fixing

SM Base plate surface fixing