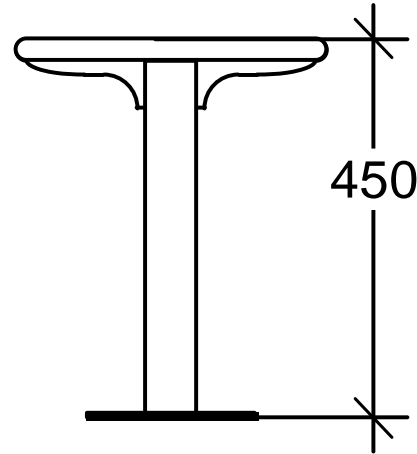
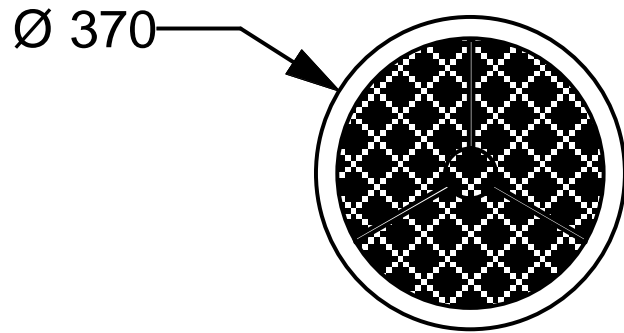
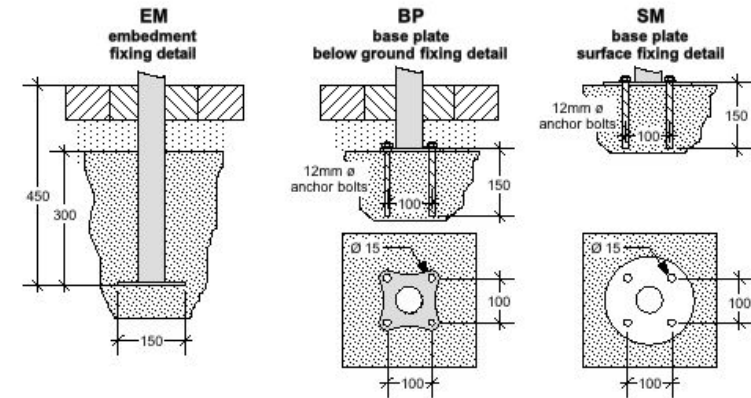


Centerline

CL Stool



INSTALLATION METHODS



DIMENSIONS

LWH	Diameter 370mm Height 450mm
-----	-----------------------------

EXTRAS

CP	Integrated in to table
----	------------------------

FINISH CODES

PC	Powder coating on galvanised steel
SS	316 stainless steel 320 grit
BD	Bespoke dimensions available

INSTALLATION CODES

EM	Embedment fixing
BP	Base plate below ground fixing
SM	Base plate surface fixing