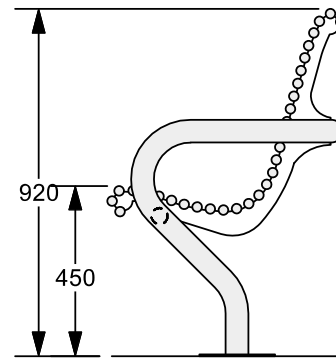
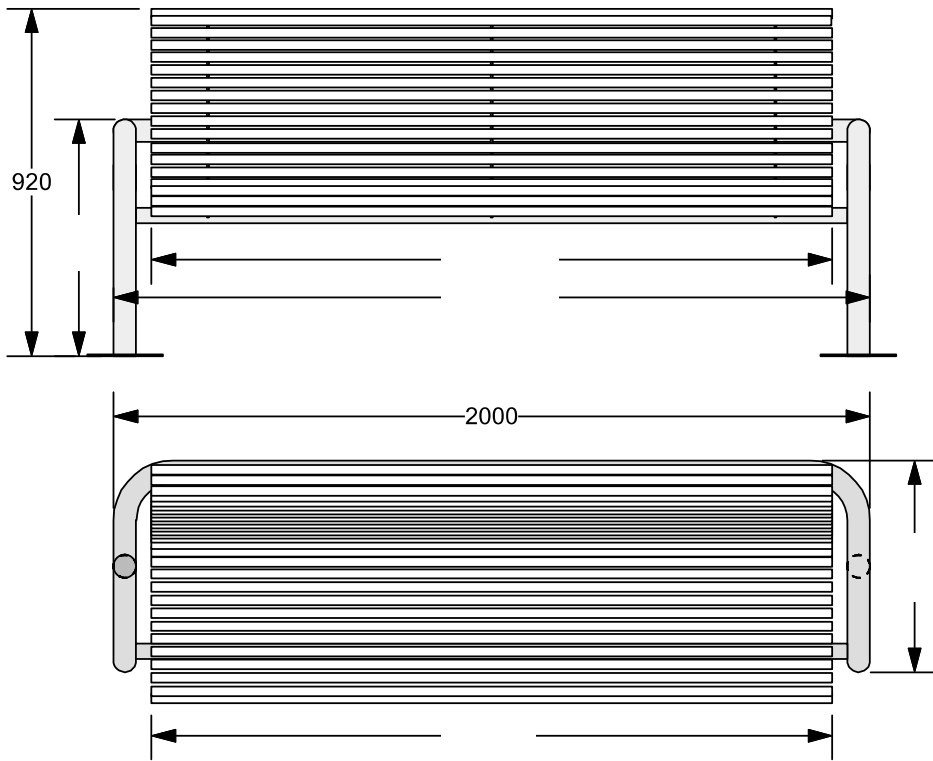
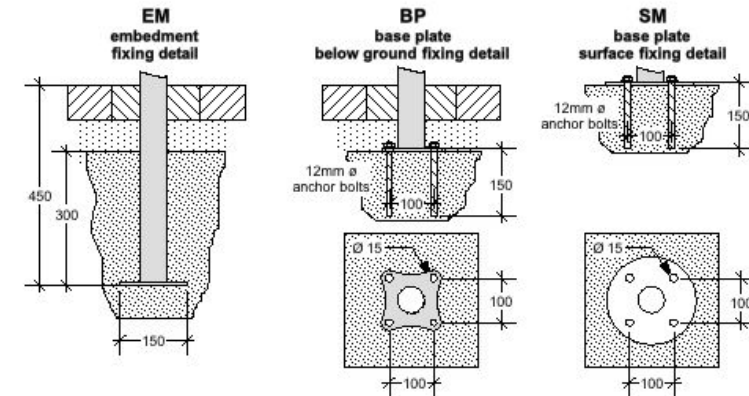


# Centerline

# CL001 seat



## INSTALLATION METHODS



## DIMENSIONS

LWH Length 2000mm Width 600mm Height 920mm

## FINISH CODES

PC Powder coating on galvanised steel

SS 316 stainless steel 320 grit

BD Bespoke dimensions available

## INSTALLATION CODES

EM Embedment fixing

BP Base plate below ground fixing

SM Base plate surface fixing

## EXTRAS

AR Arm rests