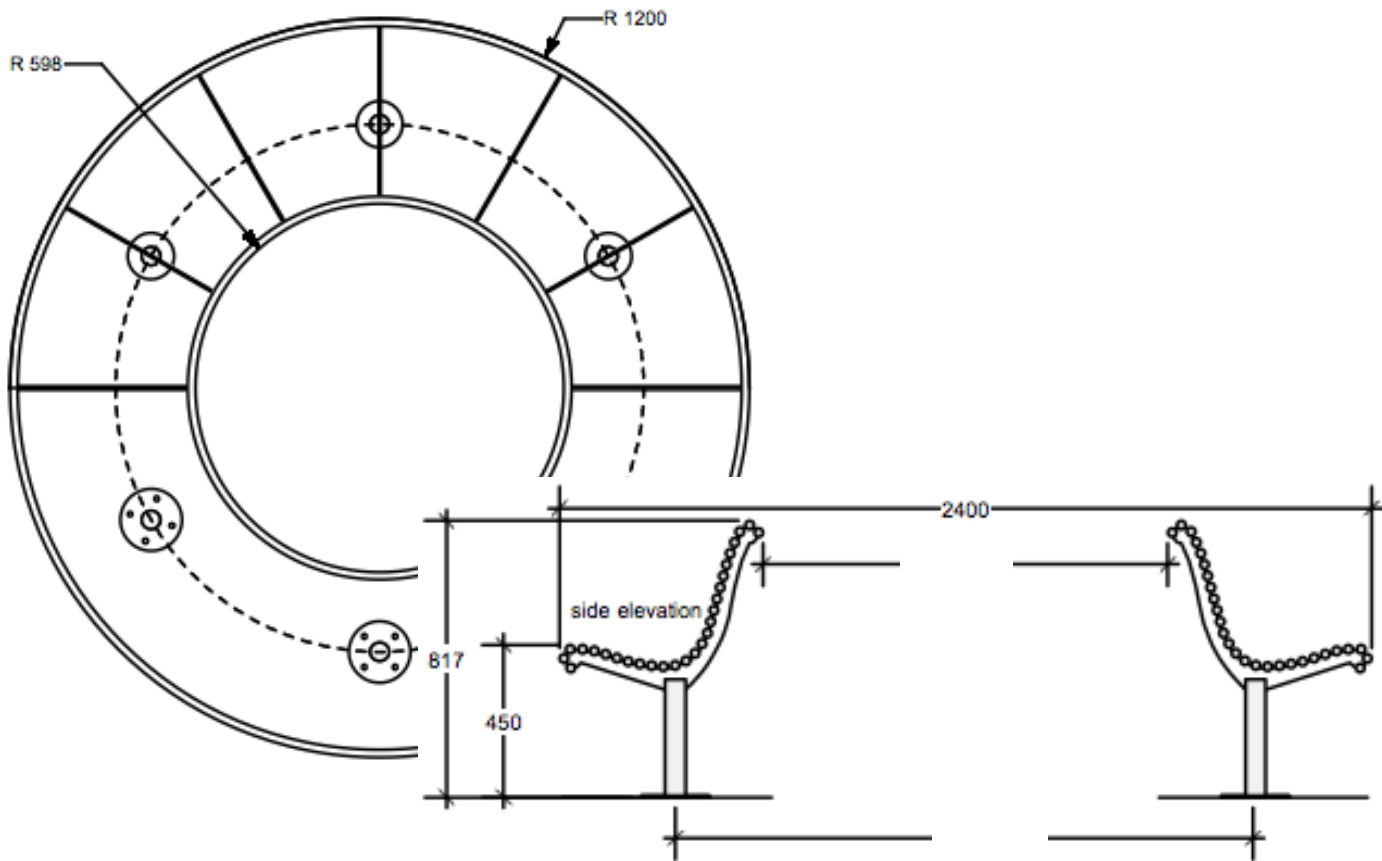
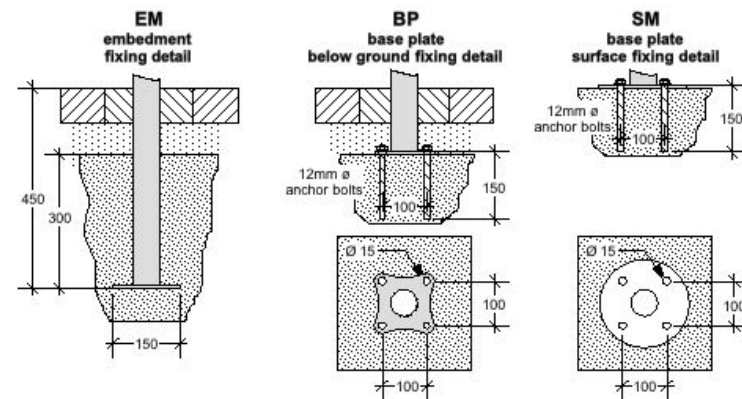


# Centerline

# CL011 Tree Seat



## INSTALLATION METHODS



## DIMENSIONS

LWH Diameter 2400mm - 3000mm Height 817mm

## FINISH CODES

PC Powder coating on galvanised steel

## INSTALLATION CODES

EM Embedment fixing

## EXTRAS

SS 316 stainless steel 320 grit

BP Base plate below ground fixing

AR Arm rests

BD Bespoke dimensions available

SM Base plate surface fixing