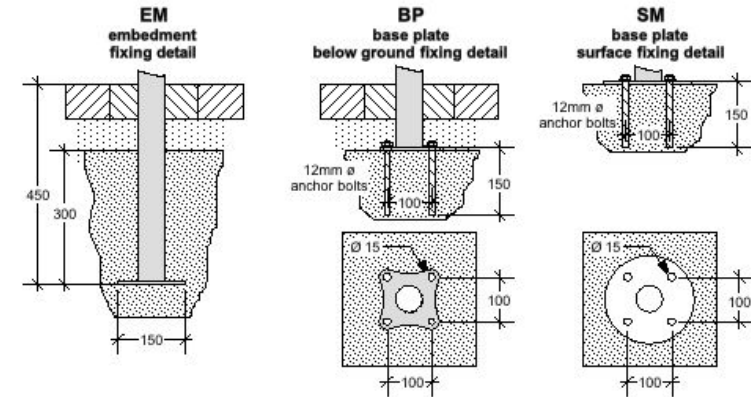


INSTALLATION METHODS



DIMENSIONS

LWH See above

EXTRAS

CP Composite finish - Disabled access

FINISH CODES

PC Powder coating on galvanised steel

SS 316 stainless steel 320 grit

BD Bespoke dimensions available

INSTALLATION CODES

EM Embedment fixing

BP Base plate below ground fixing

SM Base plate surface fixing