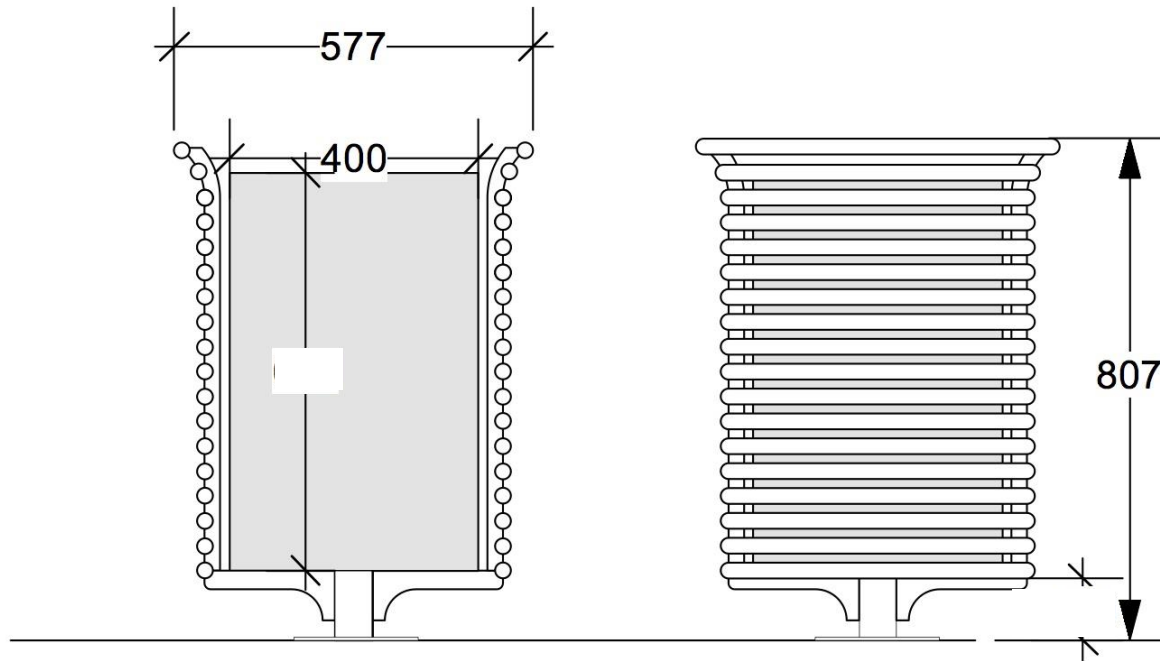
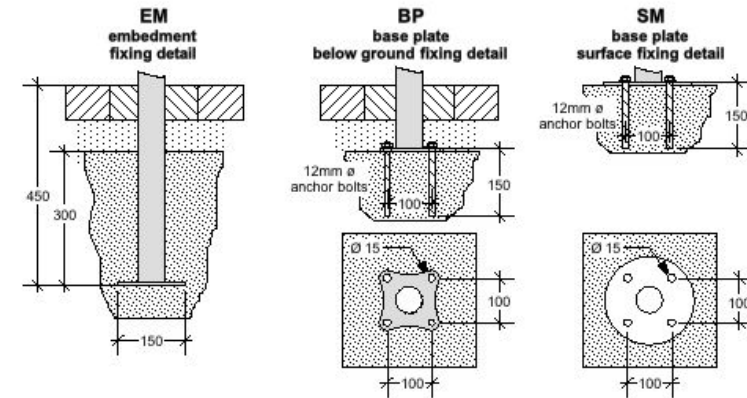


Centerline

CL050



INSTALLATION METHODS



DIMENSIONS

LWH	Diameter 577mm Height 807mm Capacity 80L
-----	--

FINISH CODES

PC	Powder coating on galvanised steel
SS	316 stainless steel 320 grit
BD	Bespoke dimensions available

INSTALLATION CODES

EM	Embedment fixing
BP	Base plate below ground fixing
SM	Base plate surface fixing

EXTRAS

CP	Composite finish
----	------------------