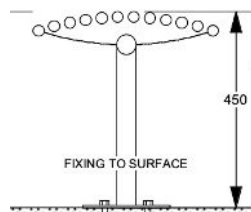
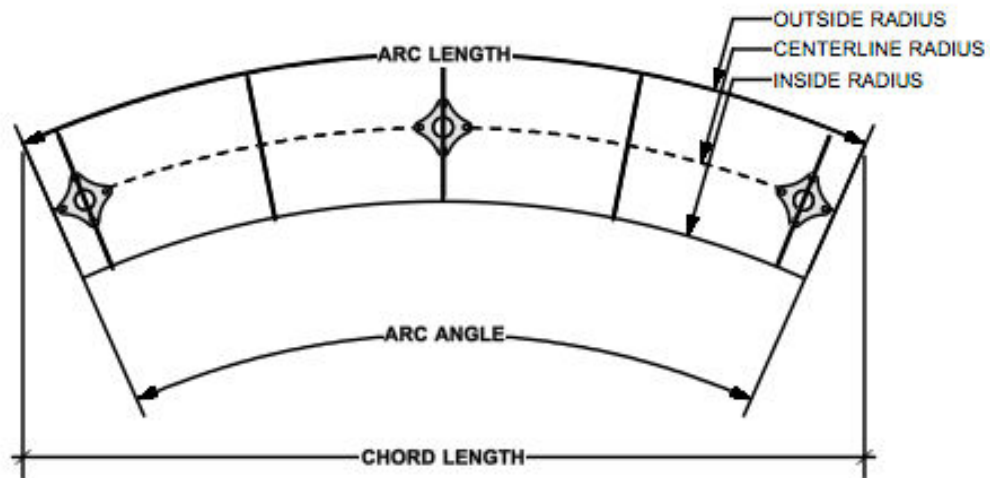
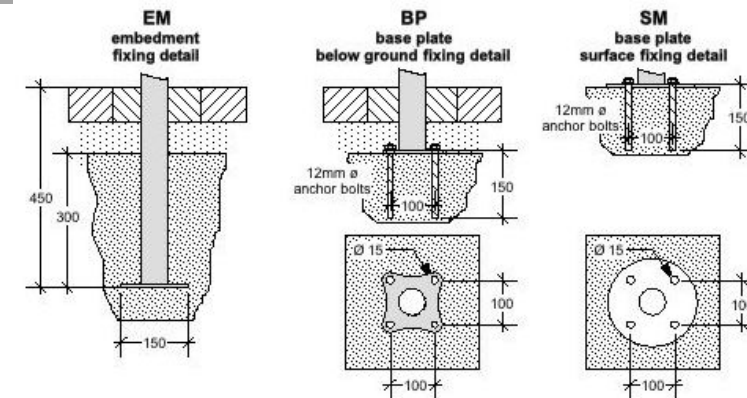


# Baseline Curved Bench

BL007



## INSTALLATION METHODS



## DIMENSIONS

LWH Length 1800mm Width 407mm Height 450mm

## EXTRAS

AR

## FINISH CODES

PC Powder coating on galvanised steel

SS 316 stainless steel 320 grit

BD Bespoke dimensions available

## INSTALLATION CODES

EM Embedment fixing

BP Base plate below ground fixing

SM Base plate surface fixing